

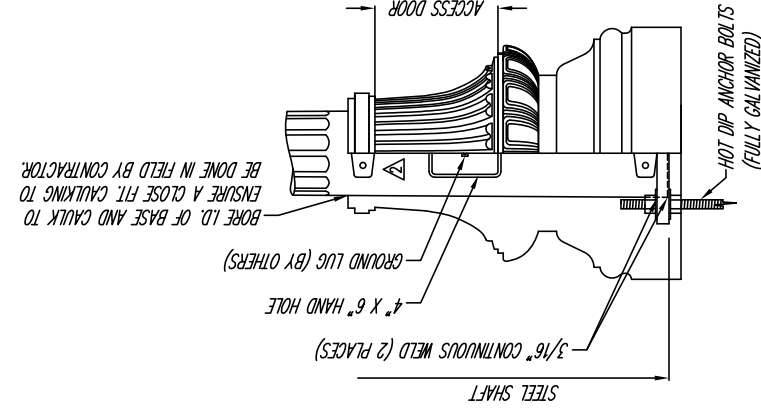
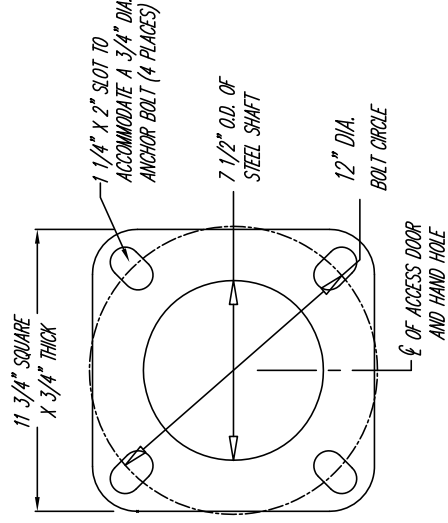
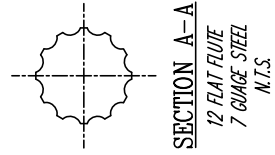
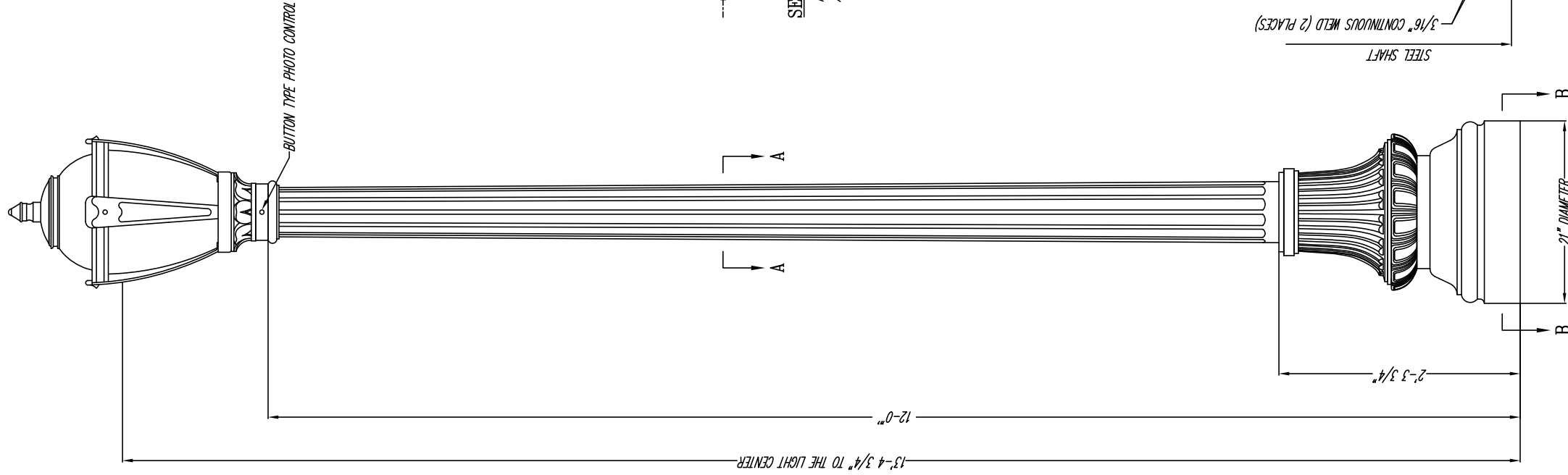
This drawing is property of Spring City Elect. Mfg. and is issued to the recipient with the understanding that it shall not be copied, duplicated, passed on to unauthorized parties, nor used for any purpose other than that for which it is specifically furnished except with Spring City's written permission.

LUMINAIRE SPECIFICATIONS

STYLE: VAN BUREN (BATTERY PARK)
 HEIGHT: 29 3/4"
 WIDTH: 17 1/2"
 MATERIAL: CAST ALUMINUM
 GLOBE: CLEAR POLYCARBONATE
 FINISH: PRIME PAINT THEN FINISH PAINT, SHERWIN WILLIAMS
 LAMPING: ACROLOW - PLEASE SPECIFY COLOR: BLACK GREEN
 PLEASE SPECIFY LAMPING: METAL HALIDE HIGH PRESSURE SODIUM
 PLEASE SPECIFY WATTAGE: 70W 100W 150W
 VOLTAGE: PLEASE SPECIFY VOLTAGE: 120 208 240 277
 SOCKET: MOGUL BASE
 PHOTO CONTROL: BUTTON TYPE

LAMP POST SPECIFICATIONS

STYLE: WASHINGTON STEEL
 HEIGHT: 12'-0"
 LIGHT CENTER: 13'-4 3/4"
 BASE: 21" DIAMETER
 MATERIAL: WASHINGTON STEEL
 SHAFT: 12 GAUGE, 12 FLAT FLUTE STEEL MONOTUBE CONSTRUCTION
 BASE: 2 PIECE (WRAP AROUND) HEAVY WALL CAST IRON PER A.S.T.M. A 48-83 CLASS 30
 FINISH: PRIME PAINT THEN FINISH PAINT, SHERWIN WILLIAMS
 ACCESS DOOR: ACROLOW - PLEASE SPECIFY COLOR: BLACK GREEN
 LOCATED IN BASE TO CONDUIT WITH HAND HOLE IN STEEL SHAFT
 SECURED WITH TAMPER PROOF HEX SOCKET SECURITY MACHINE SCREWS
 GROUND STUD PROVISIONS: 1/4"-20 SQUARE NUT WELDED TO INSIDE WALL OF STEEL SHAFT OPPOSITE HAND HOLE TO ACCOMMODATE GROUND STUD (STUD SUPPLIED BY OTHERS)
 ANCHOR BOLTS: (4) 3/4" DIA. X 24" LONG + 3" HOOK (FULLY GALVANIZED WITH 5" REQUIRED)
 BOLT PROJECTION: 2 GALVANIZED NUTS AND 2 GALVANIZED WASHERS PER BOLT
 TENSION: 2 7/8" DIA. X 3 1/2" HIGH (ABOVE DONUT)



Spring City Electrical Mfg. Co.

SINCE 1863 HALL AND MAIN STREETS - P.O. DRAWER 19 - SPRING CITY, PA. 19475 - PHONE (610) 948-4000 FAX (610) 948-3577

DESCRIPTION	THE WASHINGTON 12'-0" STEEL POST (21" DIA. BASE) AND THE VAN BUREN (BATTERY PARK) LUMINAIRE		
CUSTOMER	NEW HAVEN, CT		
SCALE	DRAWN BY:	DATE	DRAWING NO.
N.T.S.	T. O'NEIL	06-24-94	LP-21602

**WASHINGTON 12'-0" STEEL POST (21" DIA. BASE)
 AND THE VAN BUREN (BATTERY PARK) LUMINAIRE**

NOT TO SCALE

STEEL POSTS AND LUMINAIRES

AS NOTED

**CITY OF NEW HAVEN
 DEPARTMENT OF ENGINEERING**

RICHARD H. MILLER, P.E., L.S. 9886
 CITY ENGINEER

DRIVE: X:\ENGINEER\DWG\CITYSTD\
 FILE: DETAILS\LIGHTING STANDARDS\2011 DETAILS
 DATE: JULY 1, 2011
 DRAWING NO.: LD-NH-17