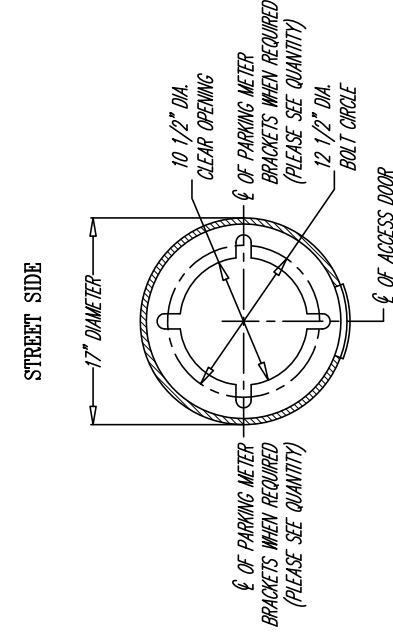
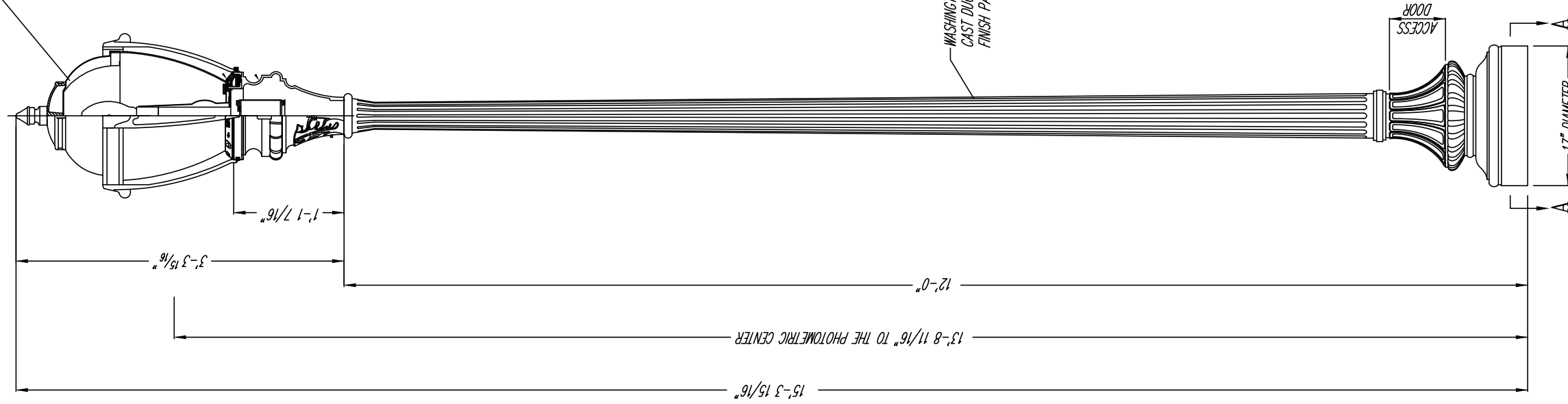


This drawing is property of Spring City Elect. Mfg. and is issued to the recipient with the understanding that it shall not be copied, duplicated, passed on to unauthorized parties, nor used for any purpose other than that for which it is specifically furnished except with Spring City's written permission.

KING K134R LUMINAIRE WITH UV STABILIZED CLEAR RIPPLED ACRYLIC ROTOLOCK GLOBE CUT-OFF TYPE III LOURED ASSEMBLY #7 FINIAL (PAINT: BLACK) & K13 CAPITAL (PAINT: BLACK)



HOUSE/SIDEWALK SIDE

SECTION A-A
N.T.S.

Notes:

Plans and Drawings are products as noted, and as recommended by the manufacturer. These Drawings may not represent the latest updates as provided by the manufacturer, so it is up to the contractors or venders to submit shop drawings to the City Engineering Department for approval to insure conformance with these specifications.

**CITY OF NEW HAVEN
DEPARTMENT OF ENGINEERING**

RICHARD H. MILLER, P.E., L.S. 9886
CITY ENGINEER

DRIVE: X:\ENGINEER\DWG\CITYSTD\
FILE: DETAILS\LIGHTING STANDARDS\2011 DETAILS
DATE: JULY 1, 2011
DRAWING NO.: **LD-NH-15**

LAMP POST SPECIFICATIONS

STYLE: WASHINGTON / VILLA 12' PEDESTRIAN
HEIGHT: 12'-0"
BASE: 17" DIAMETER
MATERIAL: 1 PIECE, HEAVY WALL CAST DUCTILE IRON PER A.S.T.M. A536-84 GRADE 65-45-12
FINISH: PRIME PAINT THEN FINISH PAINT, SHERWIN WILLIAMS ACRYLON - PLEASE ADVISE COLOR
ACCESS DOOR: LOCATED IN BASE SECURED WITH TAMPER PROOF HEX SOCKET SECURITY MACHINE SCREWS
GROUND STUD PROVISIONS: DRILL AND TAP INSIDE WALL OF BASE OPPOSITE ACCESS DOOR TO ACCOMMODATE A 1/4"-20 GROUND STUD (STUD BY OTHERS) (4) 3/4" X 24" + 3" HOOK, FULLY GALVANIZED WITH 1 GALVANIZED NUT AND 1 GALVANIZED WASHER PER BOLT) 3" REQUIRED
ANCHOR BOLTS: 3" DIA. X 3-1/2" HIGH (TO ACCEPT LUMINAIRE)
BOLT PROJECTION:
TENON:
CATALOG NO.: DPSNSH-17-12-TN3.00/3.00-323/1NW-TBD

LUMINAIRE SPECIFICATIONS

STYLE: K134R-SAR-III-150(MOG)-MH-120(MT)-K13
HEIGHT: 39 15/16"
WIDTH: 19 15/16"
MATERIAL: CAST ALUMINUM
GLOBE: UV STABILIZED CLEAR RIPPLED ACRYLIC ROTOLOCK GLOBE
FINISH: FINISH PAINTED BLACK
LAMPING: 150 WATT METAL HALIDE (LAMP BY OTHERS)
VOLTAGE: WREED AT 120 VOLTS
REFRACTOR: CUT-OFF TYPE III LOURED ASSEMBLY
SOCKET: MOGUL BASE



Spring City Electrical Mfg. Co.

SINCE 1863: HALL AND MAIN STREETS - P.O. DRAWER 19 - SPRING CITY, PA. 19475 - PHONE (610) 948-4000 FAX (610) 948-5577

DESCRIPTION	WASHINGTON 12P (ONE PIECE) 12'-0" DUCTILE IRON POST WITH THE KING K134 LUMINAIRE		
CUSTOMER	NEW HAVEN, CT		
SCALE	DRAWN BY:	DATE	SPEC NO.
N.T.S.	D.A.L.	06-25-08	S101550A

**WASHINGTON 12P (ONE PIECE) 12'-0" DUCTILE
IRON POST WITH THE KING K134 LUMINAIRE**

NOT TO SCALE

IRON POSTS AND LUMINAIRES

AS NOTED