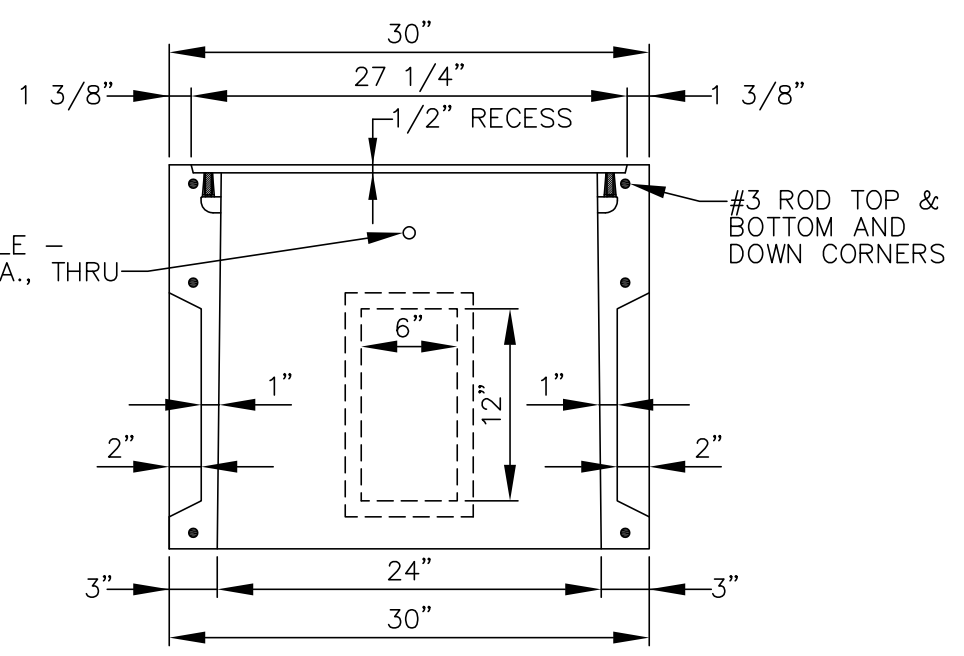
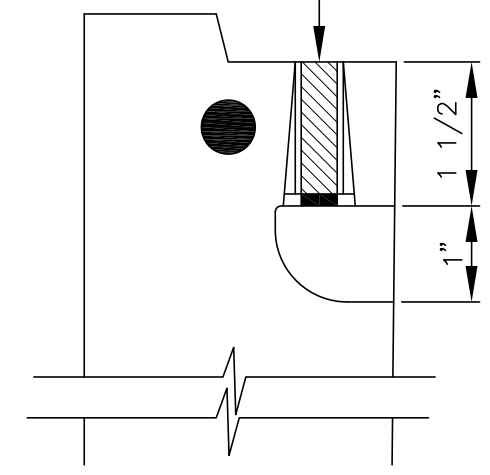


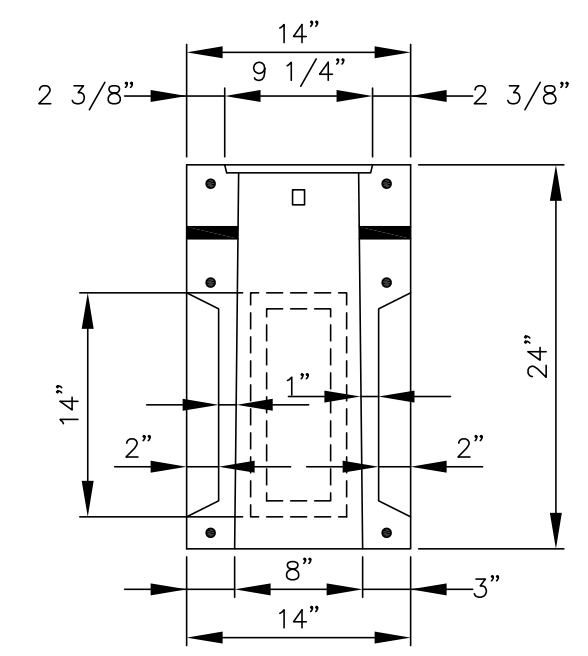
3/8"-16 x 1 1/2" OPEN BOTTOM INSERT
CLEANOUT - 3/4" WIDE x 1" HIGH



SECTION A-A

CLASS "F" CONCRETE

N.T.S.



SECTION B-B

4,000 PSI

N.T.S.

NOTES:

A. WIDTH AND SIZE OF HANDHOLE MAY VARY DEPENDING ON NUMBER OF CONDUITS AND CABLE RUNS.

NOTE TO CONTRACTORS AND VENDORS:

CONDUIT AND WIRE SIZE MAY VARY DEPENDING ON PROJECT. IT IS UP TO THE CONTRACTORS OR VENDORS TO SUBMIT SHOP DRAWINGS TO THE CITY ENGINEERING DEPARTMENT FOR APPROVAL TO INSURE CONFORMANCE WITH THESE SPECIFICATIONS.

**TYPE II HANDHOLE
WKN. KNOCKOUTS - WITH ELECTRIC**

NOT TO SCALE