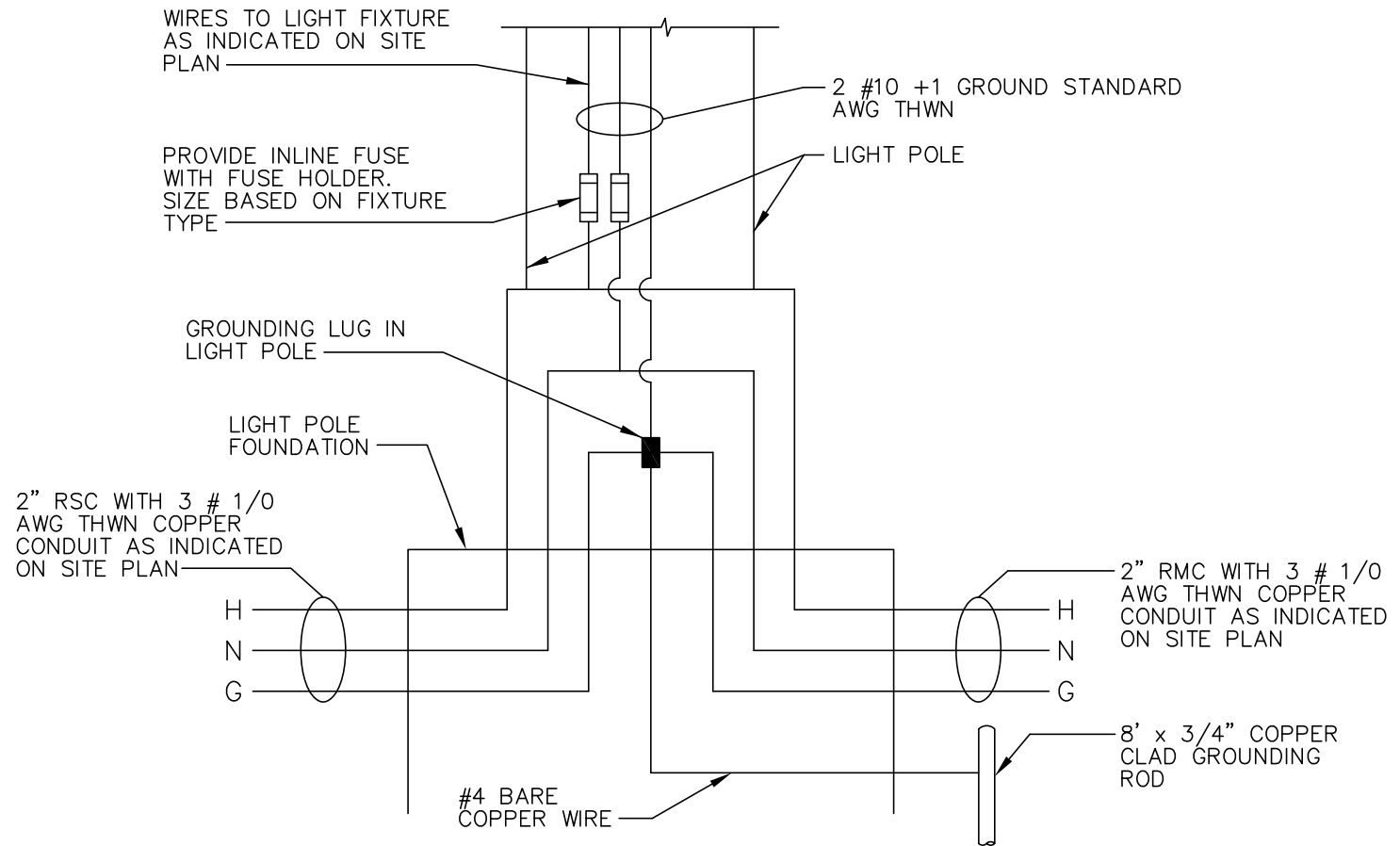
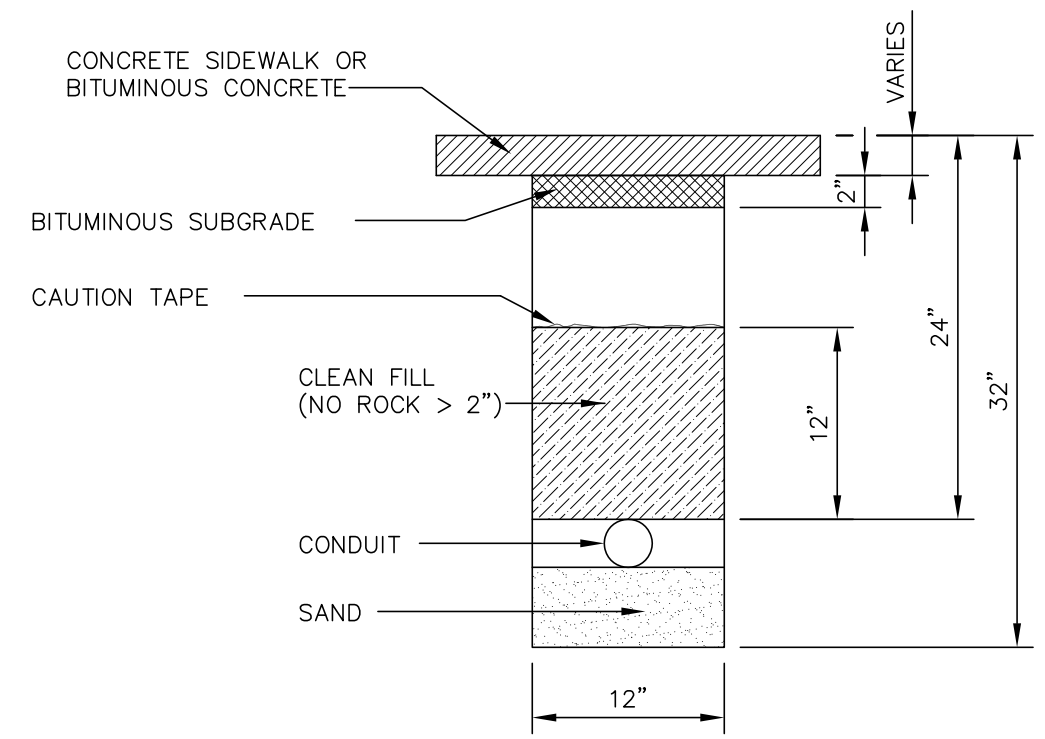


NOTE TO CONTRACTORS AND VENDORS:
CONDUIT AND WIRE SIZE MAY VARY DEPENDING ON PROJECT. IT IS UP TO THE CONTRACTORS OR VENDORS TO SUBMIT SHOP DRAWINGS TO THE CITY ENGINEERING DEPARTMENT FOR APPROVAL TO INSURE CONFORMANCE WITH THESE SPECIFICATIONS.



TYPICAL POLE WIRING SCHEMATIC

N.T.S.



ELECTRICAL TRENCH DETAIL

SCALE: 1"=1'-0"