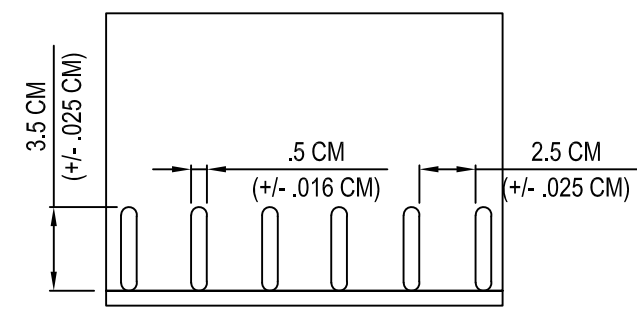
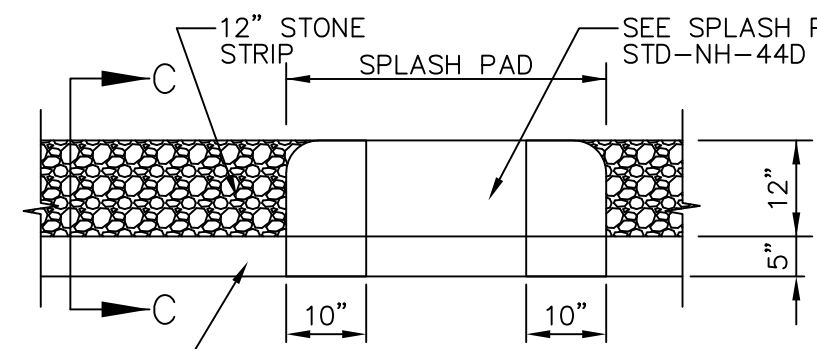


SIDE ELEVATION

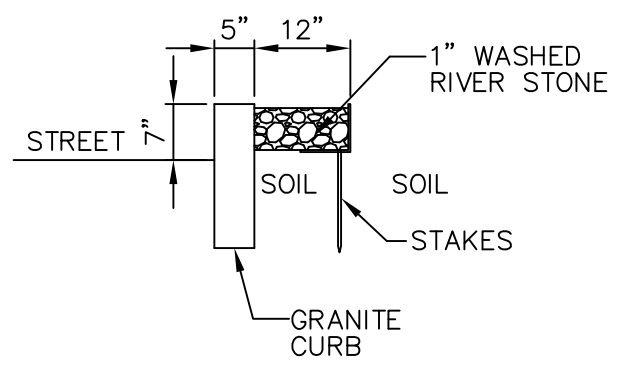


FRONT ELEVATION

L-SHAPED EDGING



PLAN



SECTION C-C

STONE STRIP DETAIL ALONG CURBING

NOTES:
COMPACT SOIL BELOW EDGING/STONE STRIP.

STONE STRIP DETAILS
NOT TO SCALE