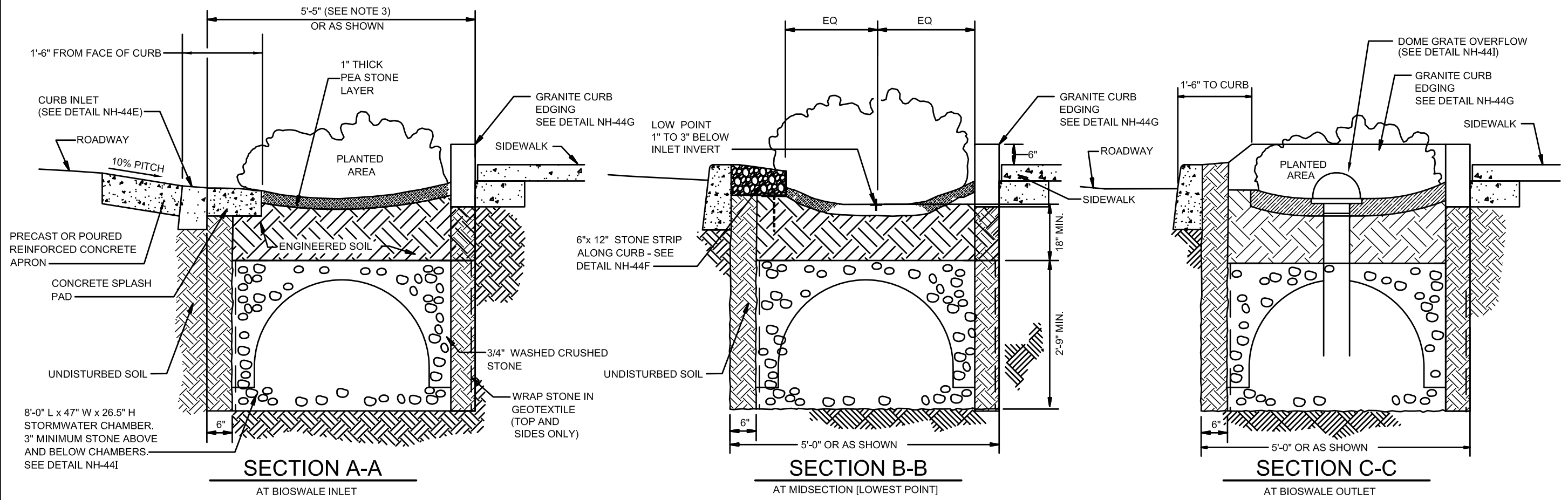
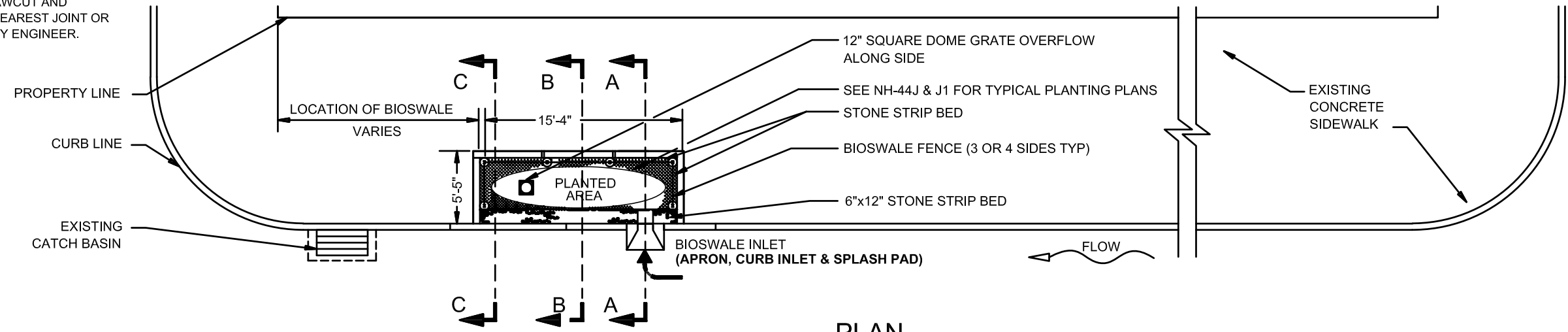


**NOTES:**

1. BOTTOM OF BIOSWALE IS TO BE LEVEL, UNCOMPACTED (SCARIFY) PRIOR TO FILLING WITH STONE.
2. NO COMPACTION OF STONE OR SOIL LAYERS.
3. SIDEWALK TO BE SAWCUT AND REPLACED AT THE NEAREST JOINT OR AS DIRECTED BY CITY ENGINEER.



**STANDARD FOR 15' x 5' BIOSWALE - GRANITE CURB EDGING WITH STORMWATER CHAMBER**

NOT TO SCALE