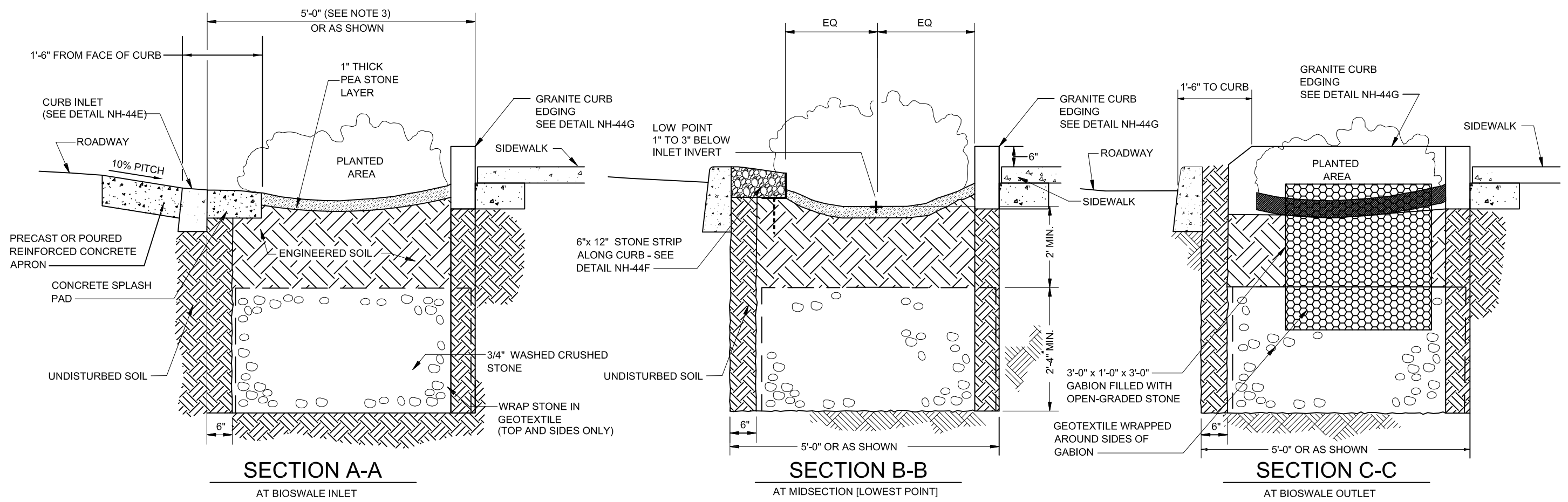
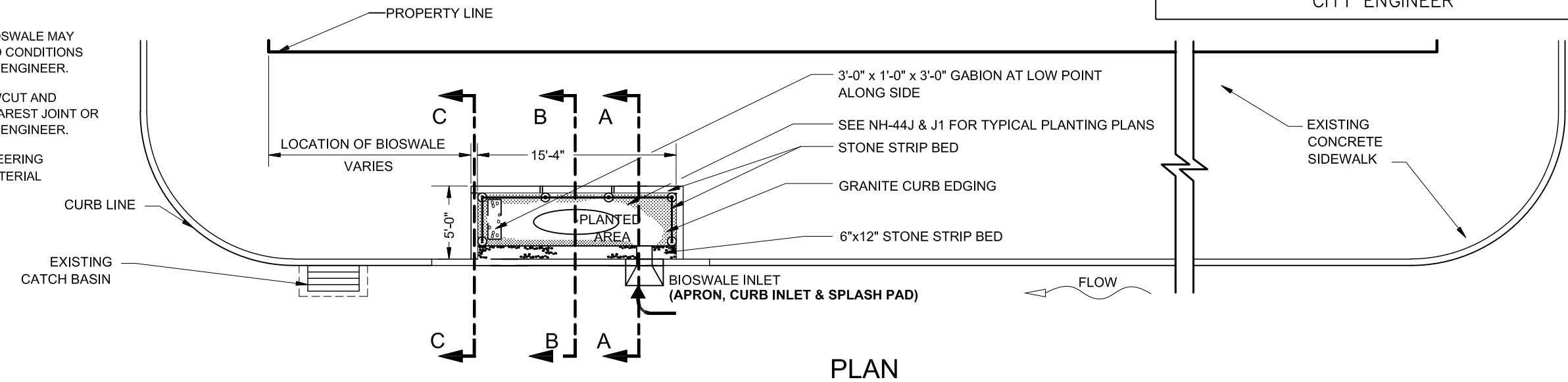


- NOTES:**
1. BOTTOM OF BIOSWALE IS TO BE LEVEL, UNCOMPACTED (SCARIFY) PRIOR TO FILLING WITH STONE.
 2. NO COMPACTION OF STONE OR SOIL LAYERS.
 3. ACTUAL WIDTH OF BIOSWALE MAY VARY BASED ON FIELD CONDITIONS AS DIRECTED BY CITY ENGINEER.
 4. SIDEWALK TO BE SAWCUT AND REPLACED AT THE NEAREST JOINT OR AS DIRECTED BY CITY ENGINEER.
 5. CONTACT CITY ENGINEERING DEPARTMENT FOR MATERIAL SPECIFICATIONS.



STANDARD FOR 15' x 5' BIOSWALE - GRANITE CURB EDGING

NOT TO SCALE