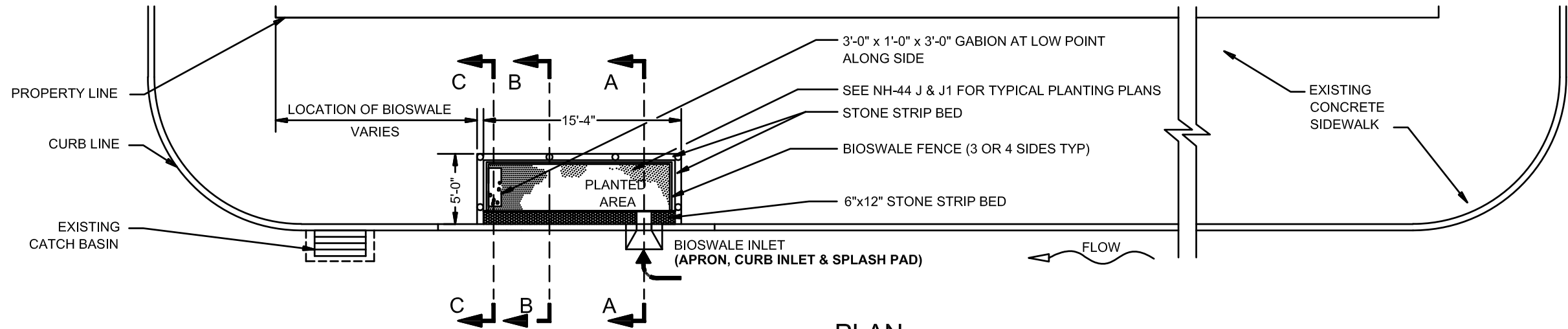
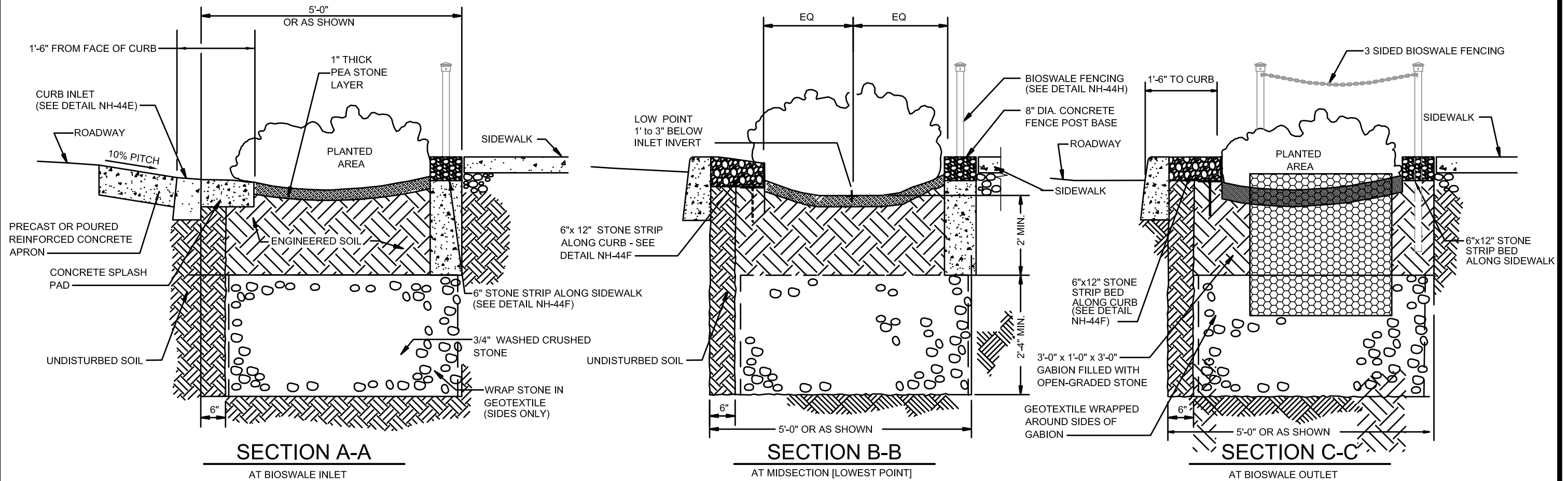


NOTES:

1. BOTTOM OF BIOSWALE IS TO BE LEVEL, UNCOMPACTED (SCARIFY) PRIOR TO FILLING WITH STONE.
2. NO COMPACTION OF STONE OR SOIL LAYERS.



PLAN



CROSS SECTIONS

STANDARD FOR 15' x 5' BIOSWALE - STONE STRIP AND FENCING

NOT TO SCALE