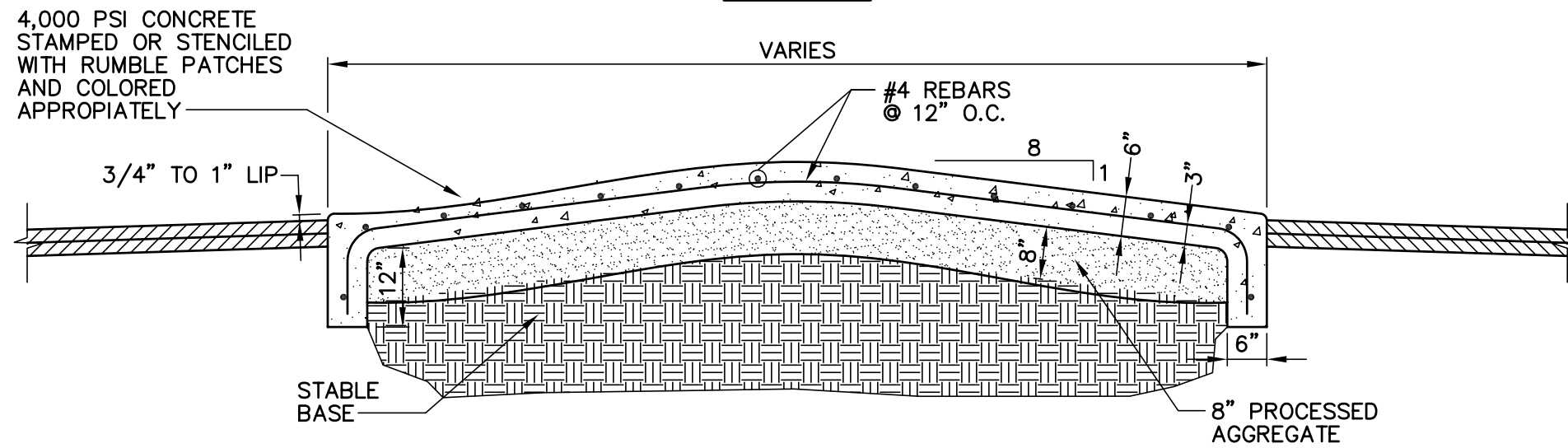
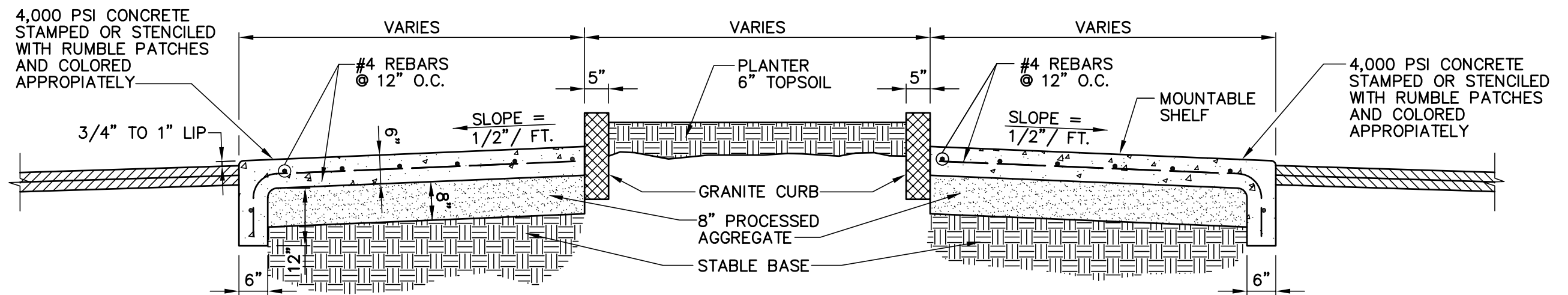


PLAN



MINI ROUND ABOUT WITHOUT PLANTER



MINI ROUND ABOUT WITH PLANTER  
TYPICAL CROSS SECTION

SCALE: 1/2" = 1'-0"