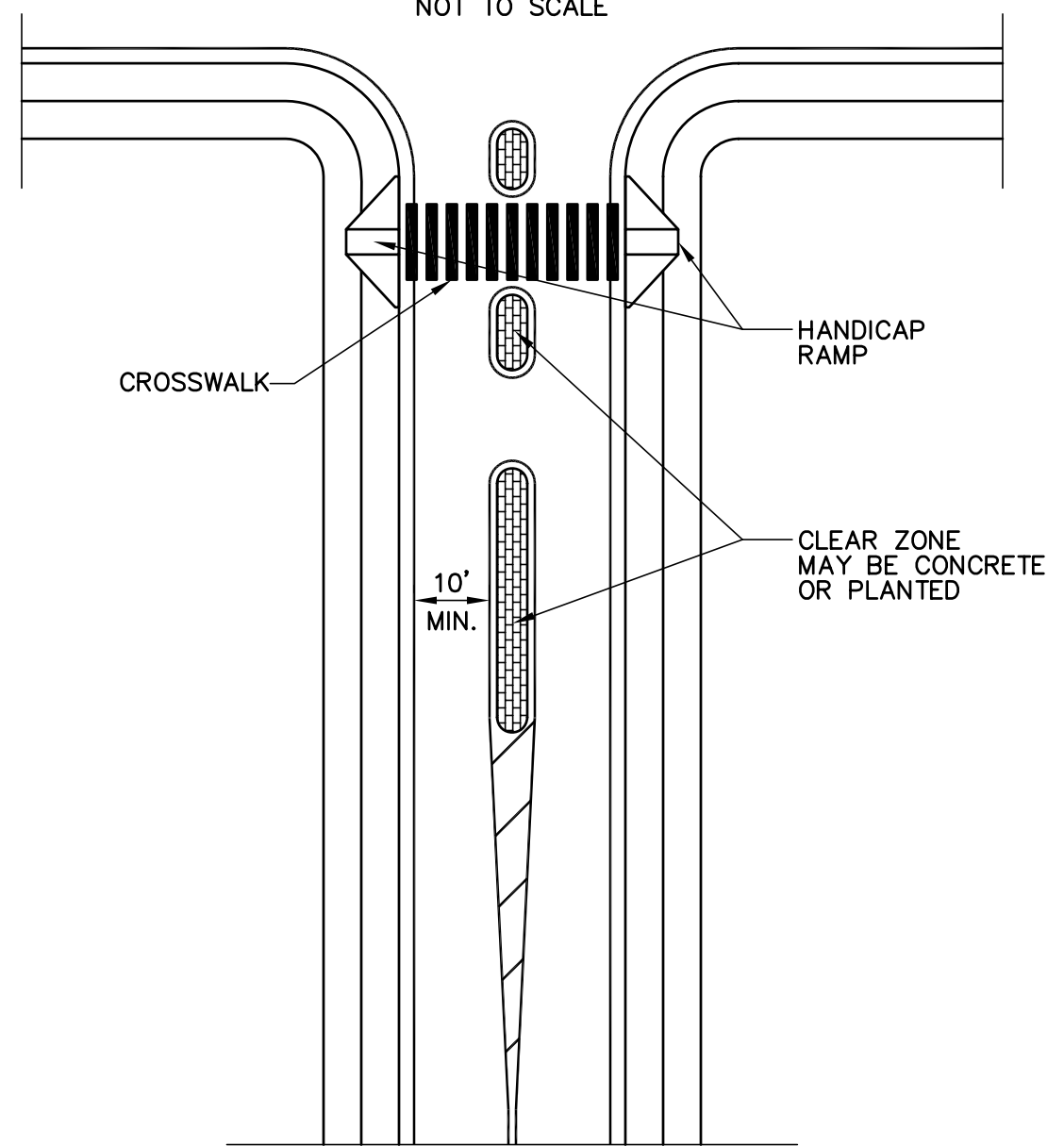


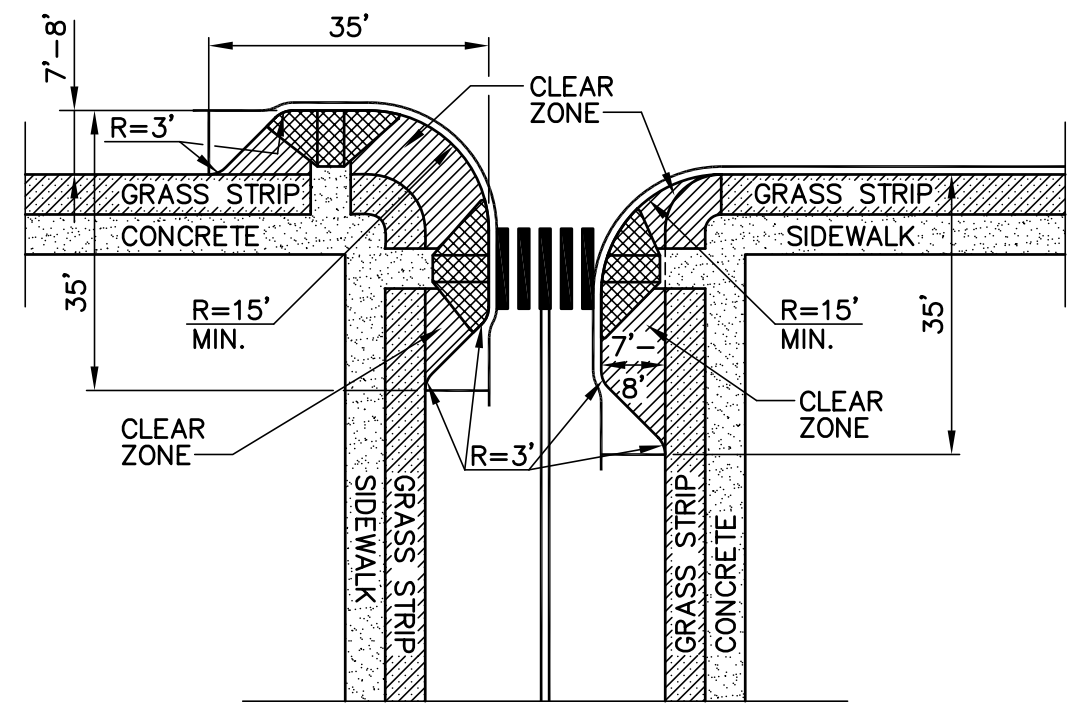
CENTER MEDIAN
NOT TO SCALE



**CROSSING ISLANDS/
CENTER MEDIANS**

SCALE: 1/2"=1'-0"

- NOTES:**
1. WIDTH OF ROAD MUST PROVIDE ADEQUATE LANES FOR THE ROADS DEFINED USE.



**TYPICAL BUMP OUT DETAIL
FOR INTERSECTIONS**

SCALE: 1/2"=1'-0"

- NOTES:**
1. CONFIGURATION MAY VARY BASED ON DRAINAGE REQUIREMENT.
2. CLEAR ZONES MAY BE USED FOR PLANTING AS APPROPRIATE TO MAINTAIN LINE OF SIGHT.