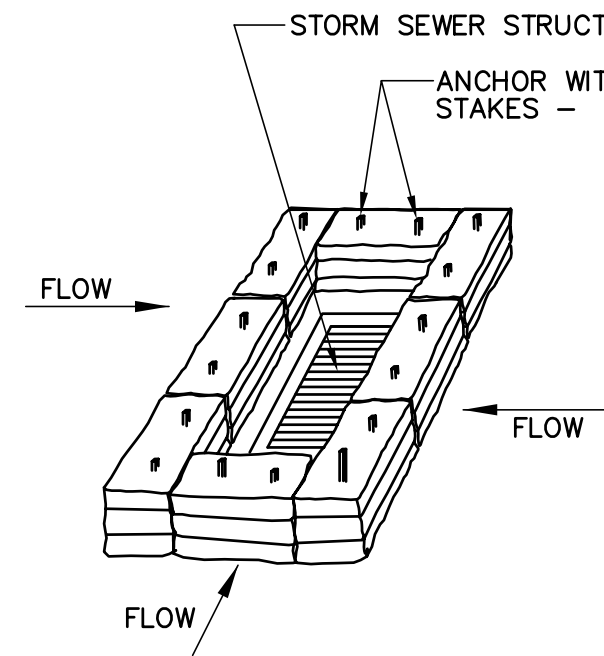
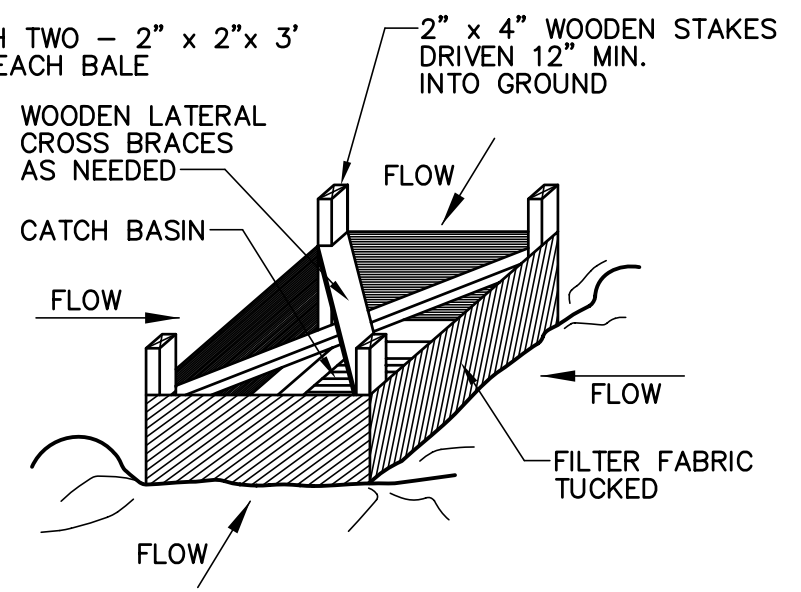


**INSTALLATION**

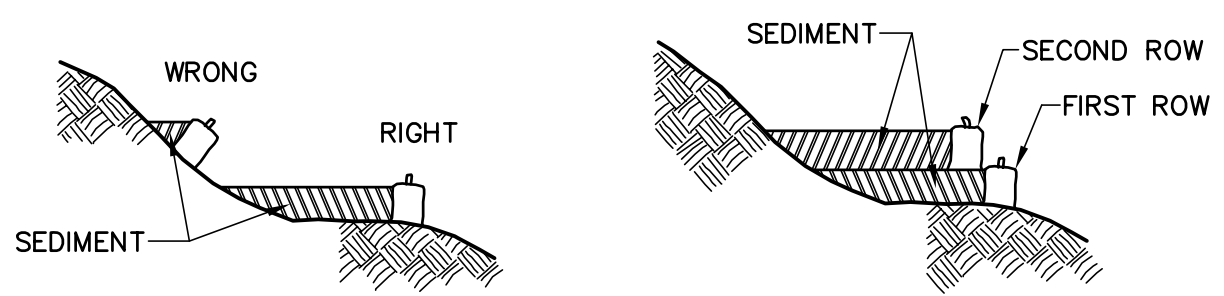
- A) IDEALLY, BALES SHOULD BE ENTRENCHED 2 TO 4 INCHES AND TIGHTLY BUTTED TOGETHER. BALES CAN BE SUCCESSFULLY PLACED WITHOUT A TRENCH IF GOOD GROUND CONTACT IS MADE. REMOVE HEAVY BRUSH AND FILL IN ALL VOIDS WITH LOOSE STRAW.
- B) BALES SHALL BE ONLY USED AS A TEMPORARY BARRIER AND FOR NO LONGER THAN 60 DAYS. THEY SHALL NOT BE USED ON A JOB ADJACENT TO A RESIDENTIAL NEIGHBORHOOD, RESIDENCES OR ADJACENT TO OR IN A WATERCOURSE.
- C) WHEN SEDIMENTATION DEPOSITS REACH WITHIN 3" OF THE TOP OF THE BALES, REMOVE SEDIMENTATION OR ADD ADDITIONAL BALES ON SEDIMENTATION DIRECTLY BEHIND THE FIRST ROW OF BALES AS DIRECTED BY THE ENGINEER.
- D) UPON ESTABLISHMENT OF GROUND COVER ON DISTURBED AREAS AND WHEN DIRECTED BY THE THE ENGINEER, HAY BALES WILL BE REMOVED AND USED AS MULCH. ANY SEDIMENTATION WILL BE THINLY SPREAD UPON ESTABLISHED GROUND COVER.



HAY BALE INSTALLATION AT CATCH BASIN



SILT FENCE INSTALLATION AT CATCH BASIN



BALE PLACEMENT

PREFERRED PLACEMENT

BALES PLACED AWAY FROM TOE OF SLOPE HAVE A LARGER CONFINEMENT AREA. ADDITIONAL BALES SHOULD BE ADDED BEHIND ORIGINAL BALES BEFORE SEDIMENT TOPS THE FIRST BALE.

DIKES HAY/STRAW BALES

SEDIMENTATION AND EROSION CONTROL DETAILS

NOT TO SCALE

CATCH BASIN IN A DEPRESSION