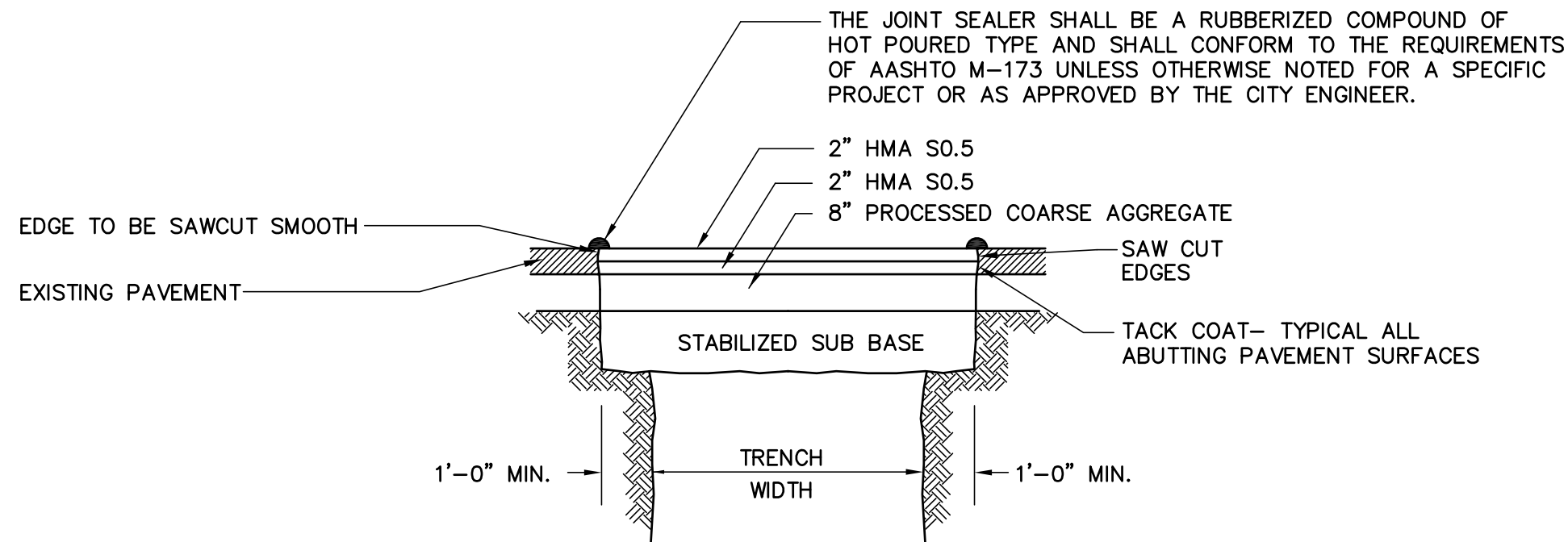


**NOTE:**  
UNLESS OTHERWISE NOTED, ALL MATERIALS AND CONSTRUCTION METHODS USED SHALL CONFORM TO CONNDOT "STANDARD SPECIFICATIONS FOR ROADS, BRIDGES AND INCIDENTAL CONSTRUCTION"; FORM 816 DATED 2004 AND ALL SUBSEQUENT AMENDMENTS OR MODIFICATIONS THERETO.

**PAVEMENT REPLACEMENT—TEMPORARY  
FOR LOCAL ROADS**

NO SCALE



**PAVEMENT REPLACEMENT—PERMANENT  
FOR LOCAL ROADS**

NO SCALE