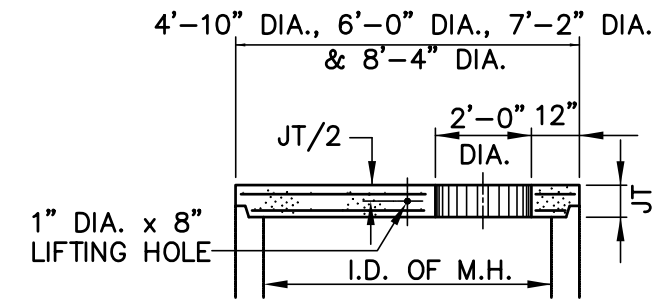


**60", 72" & 84" DIA.
PRECAST M.H. BASE
TYPE III**

SCALE: 1/4" = 1'-0"

**48" x 60" MANHOLE
TRANSITION SECTION**

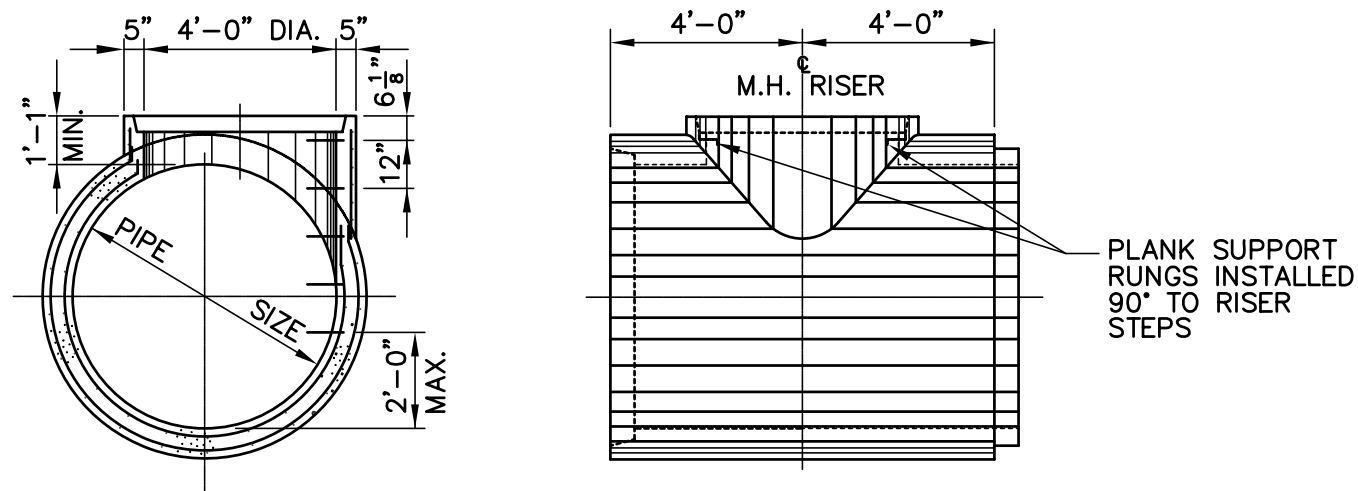
SCALE: 1/4" = 1'-0"



I.D.	JT
48"	8"
60"	10"
72"	10"
84"	12"

**TYPICAL ECCENTRIC
MANHOLE ENTRANCE SLAB**

SCALE: 1/4" = 1'-0"



ECCENTRIC MANHOLE ENTRANCE TEE

SCALE: 1/4" = 1'-0"

NOTES

1. STEEL REINFORCING SHOWN IS SCHEMATIC. AREA OF REINFORCING STEEL AND CONCRETE COMPRESSIVE STRENGTH SHALL CONFORM TO A.S.T.M. SPECIFICATIONS C76 & C478.
2. 5 (FIVE) COPIES OF SHOP DRAWINGS SHALL BE SUBMITTED FOR THE ENGINEER'S APPROVAL FOR ALL PRECAST UNITS PROPOSED FOR THE USE BY THE CONTRACTOR.
3. ALL LIFTING HOLES SHALL BE PLUGGED WITH TYPE 2 MORTAR.