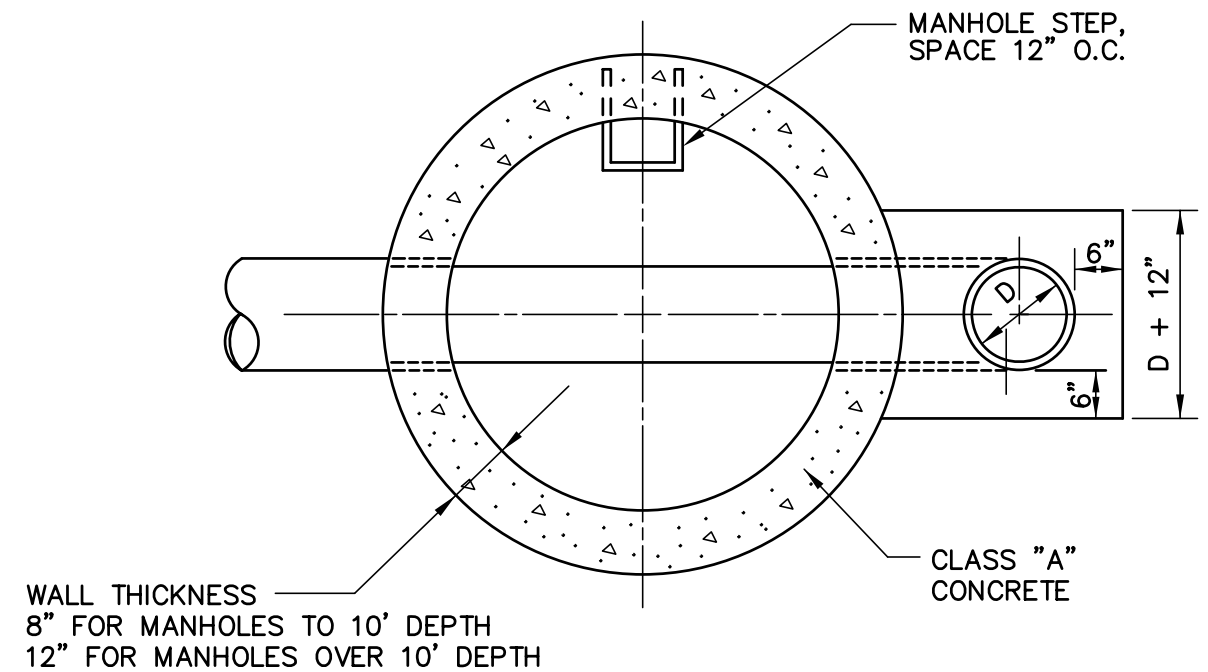


VERTICAL SECTION



SECTION D-D

## STANDARD SANITARY DROP MANHOLE

SCALE:  $\frac{1}{2}$ "=1'-0"

NOTES :

1. ALL MANHOLE STEPS TO BE COPOLYMER POLYPROPYLENE PLASTIC STEEL REINFORCED.
2. MANHOLE FRAME AND COVER AND CORBELLING ARE SAME AS ON STANDARD MANHOLES.