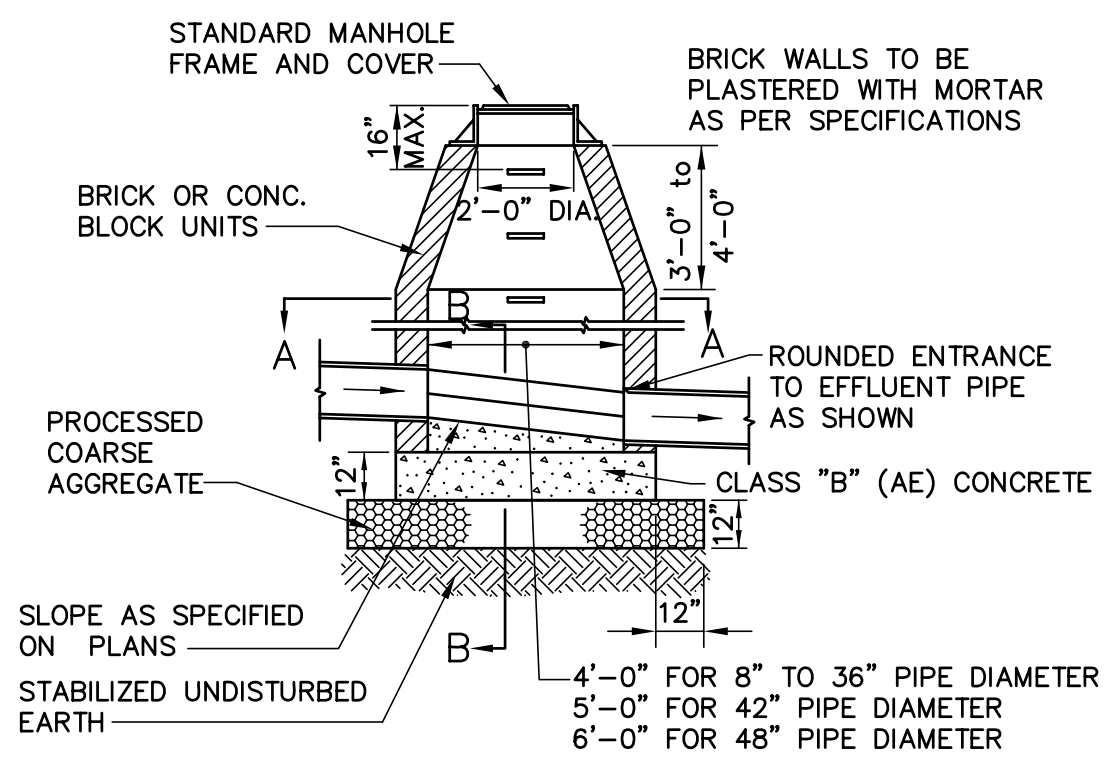
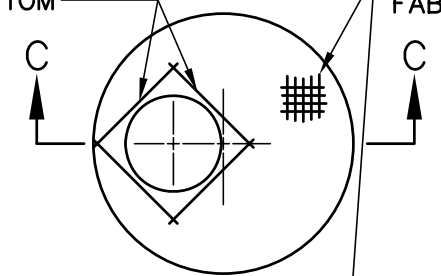


**VERTICAL SECTION**  
**STANDARD SHALLOW STORM MANHOLE**

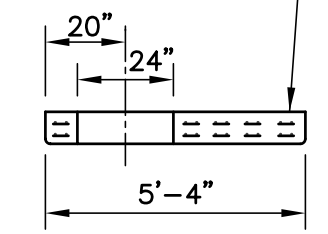


**VERTICAL SECTION**

DIAGONAL REINFORCING #4 BARS TOP AND BOTTOM  
4x4-W4.0xW4.0 WELDED WIRE FABRIC TWO LAYERS



**PLAN**



**SECTION C-C**  
**FLAT TOP SLAB**

**STANDARD STORM MANHOLES**

SCALE:  $\frac{1}{4}'' = 1'-0''$

**NOTE :**

ALL MANHOLE STEPS TO BE COPOLYMER POLYPROPYLENE PLASTIC STEEL REINFORCED.