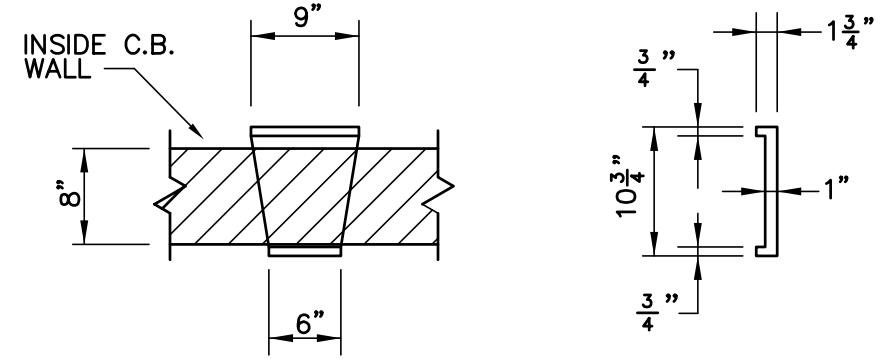
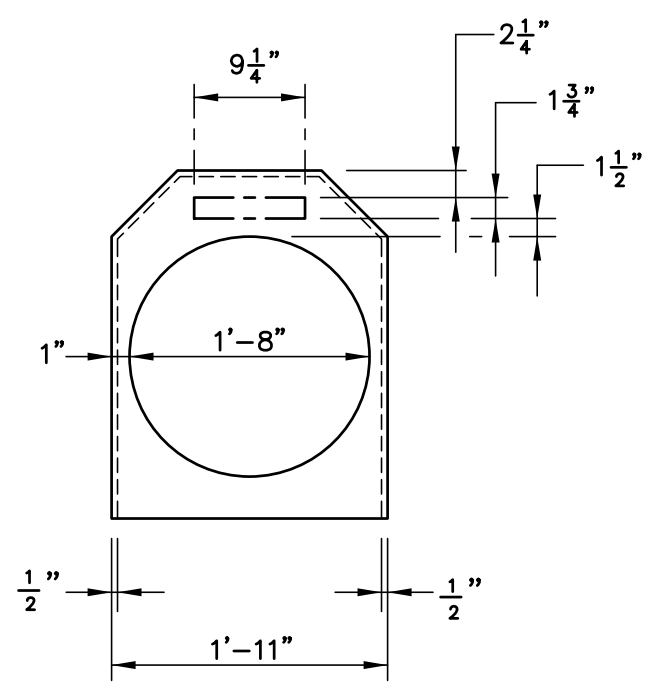


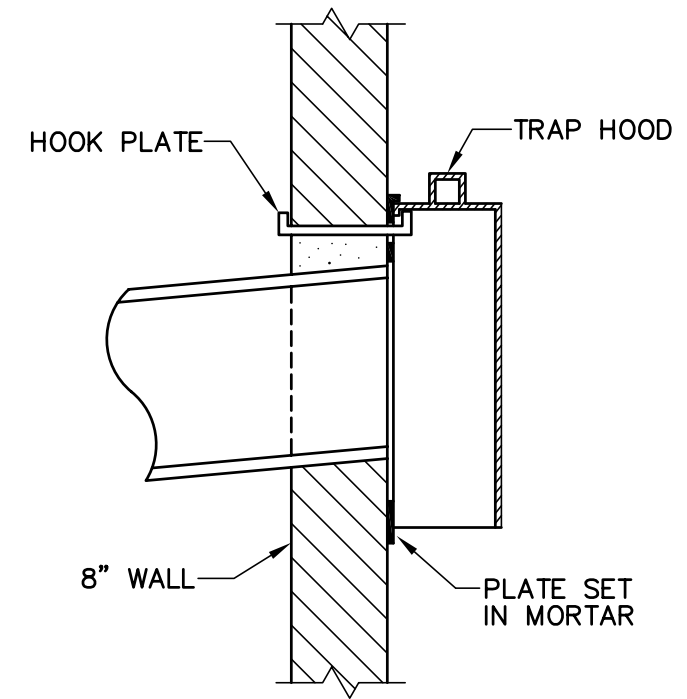
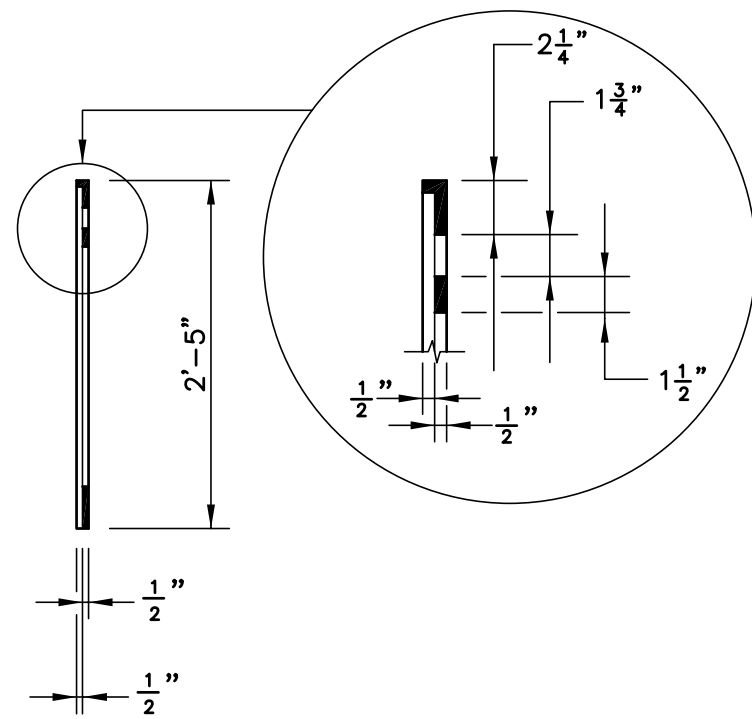
CATCH BASIN TRAP HOOD



HOOK PLATE



PLATE



DETAIL OF INSTALLATION

CATCH BASIN HOOD AND APPURTENANCES AS
MANUFACTURED BY CAMPBELL FOUNDRY CO.,
OR APPROVED EQUAL.

DETAILS OF CATCH BASIN HOOD & APPURTENANCES

SCALE: 3/4"=1'-0"