

PLAN

② STANDARD CATCH BASIN FRAME AND GRATE

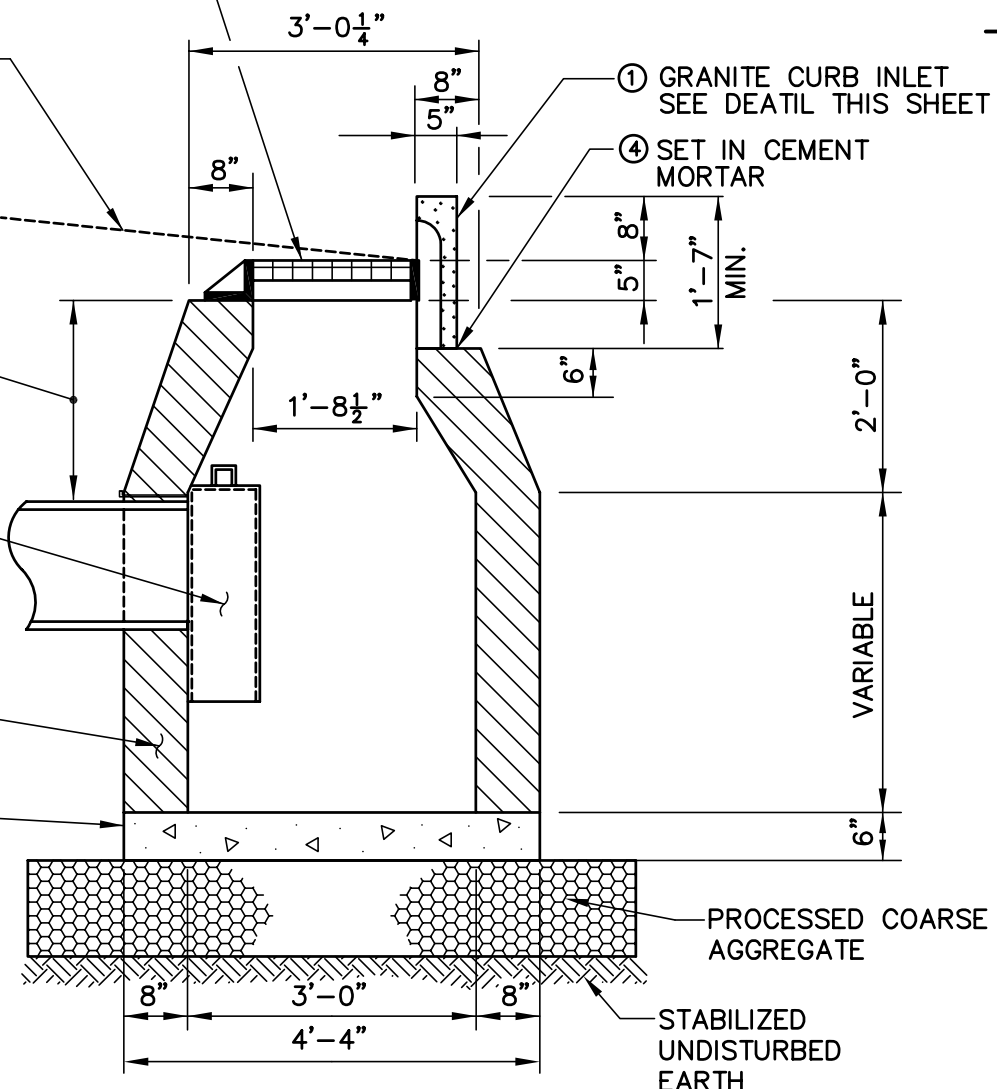
③ CROSS SLOPE AS PER CROSS SECTION

⑤ UNLESS OTHERWISE ORDERED, MIN. DEPTH UNDER TRAVELWAY: 1'-7 1/2" MIN. DEPTH UNDER UNTRAVELED AREA: 0'-3"

⑦ HOOD TYPE TRAP (SEE DETAIL)

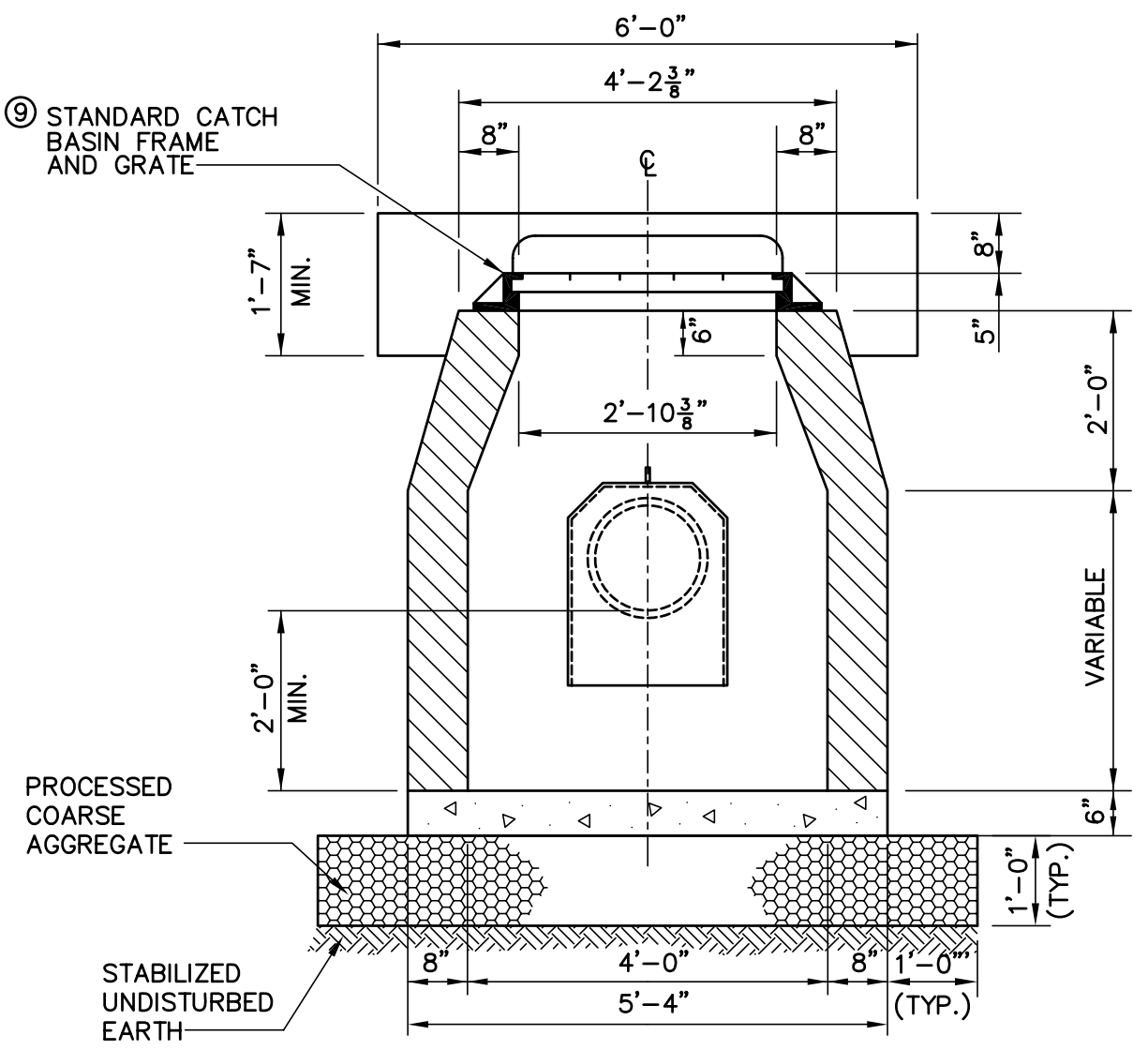
⑥ BRICK OR CONCRETE BLOCK UNITS (TYP.)

⑧ CLASS B (AE) CONCRETE (TYP.) PRECAST OR POURED IN PLACE. WHERE A PRECAST UNIT IS USED FOR SUMP, THE TOP OF THE UNIT SHALL BE AT LEAST 6" BELOW THE BOTTOM OF THE PIPE OUTLETTING FROM THE CATCH BASIN



SECTION A-A

⑨ STANDARD CATCH BASIN FRAME AND GRATE



SECTION B-B

TYPE "C" CATCH BASIN

SCALE: 1/2" = 1'-0"