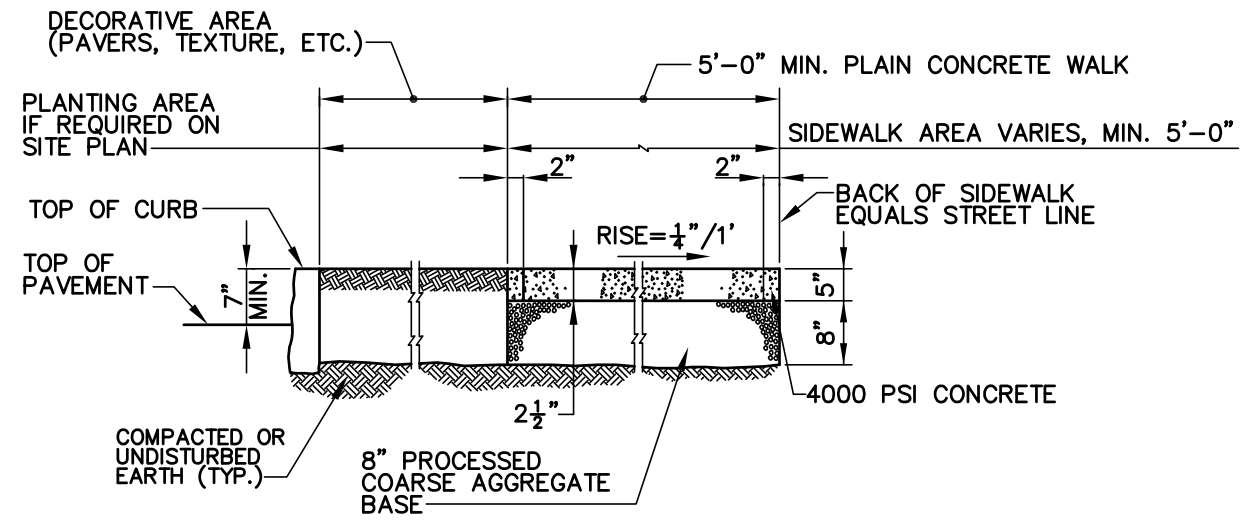


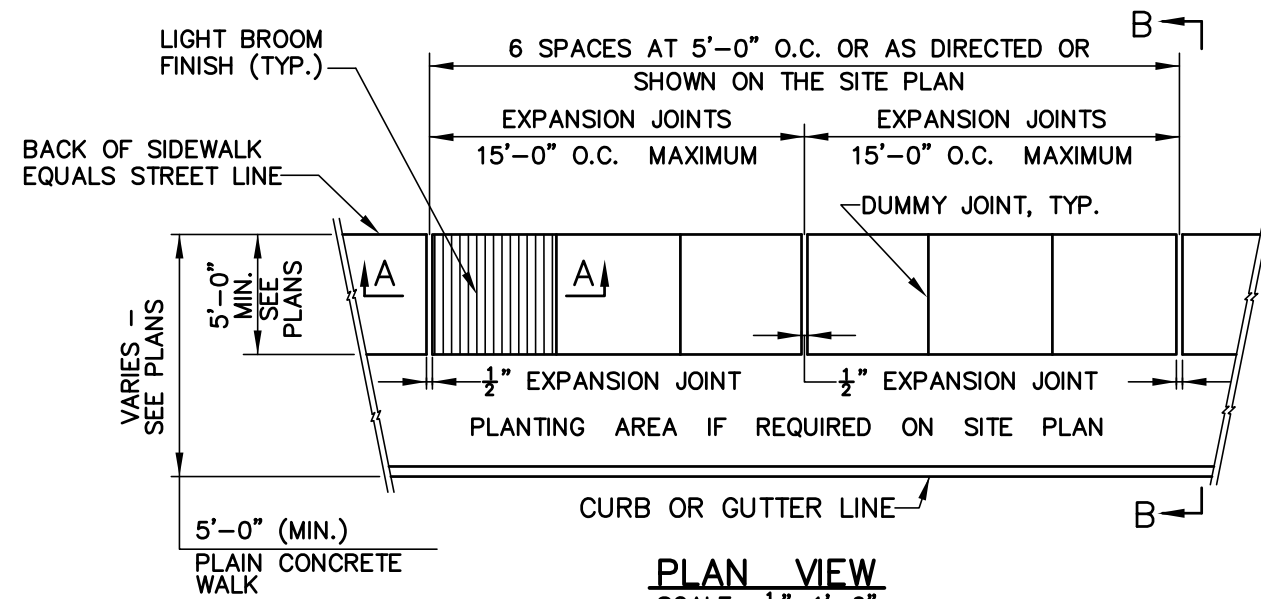
SECTION A-A
SCALE: $\frac{3}{8}'' = 1'-0''$



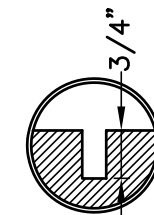
SECTION B-B
SCALE: $\frac{1}{2}'' = 1'-0''$

NOTES:

1. MATERIALS, METHODS OF INSTALLATION, CURING, TESTING, SHALL CONFORM TO "STATE OF CT DEPARTMENT OF TRANSPORTATION STANDARD SPECIFICATIONS FORM 818 OR CURRENT SPECIFICATION FOR SUCH WORK.
2. ANY WALKING SURFACE SHALL BE LIGHTLY BROOMED PERPENDICULAR TO THE TRAVEL WAY.



PLAN VIEW
SCALE: $\frac{1}{8}'' = 1'-0''$



DUMMY JOINT
FULL SIZE

SIDEWALK NOTES:

1. UNLESS OTHERWISE SPECIFIED OR DIRECTED BACK OF WALK TO BE ON STREET LINE

TYPICAL SIDEWALK DETAILS

SCALE : AS NOTED