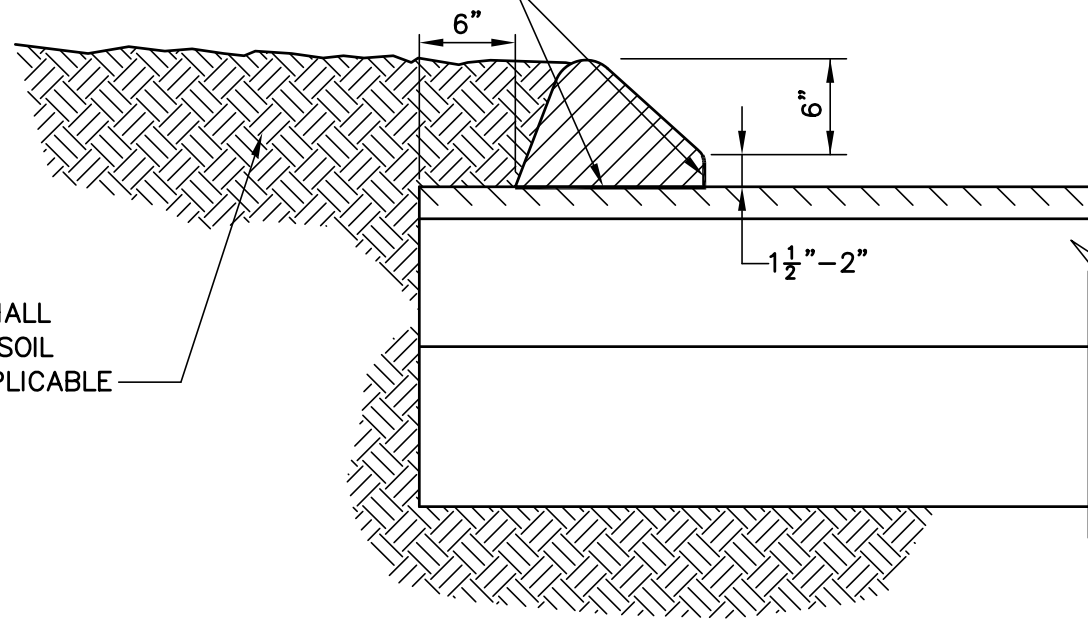


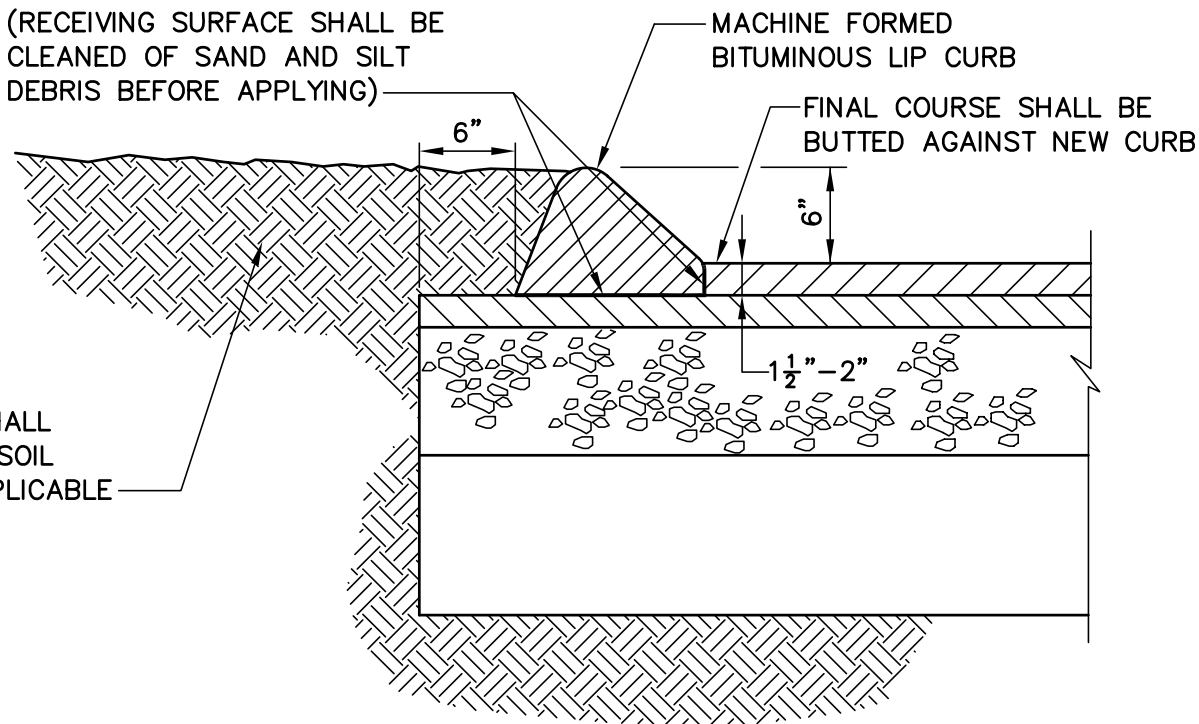
TACK ALL BITUMINOUS CURBING  
(RECEIVING SURFACE SHALL BE  
CLEANED OF SAND AND SILT  
DEBRIS BEFORE APPLYING)



ALL BITUMINOUS SHALL  
BE BACK WITH TOPSOIL  
OR GRAVEL AS APPLICABLE

CURB ON EXISTING ROAD

TACK ALL BITUMINOUS CURBING  
(RECEIVING SURFACE SHALL BE  
CLEANED OF SAND AND SILT  
DEBRIS BEFORE APPLYING)



ALL BITUMINOUS SHALL  
BE BACK WITH TOPSOIL  
OR GRAVEL AS APPLICABLE

BITUMINOUS CONCRETE LIP CURBING

SCALE : 1"=1'-0"

**NOTE:** WHERE BIT. CURB IS OVERLAID ON EXISTING  
PAVEMENT, SETBACK OF PAVEMENT; LAY CURBLINE  
STRAIGHT AND PROVIDE SMOOTH TRANSITIONS.

**\*\*NOTE:**  
TO BE USED ONLY IN AREAS AS APPROVED BY THE CITY ENGINEER.